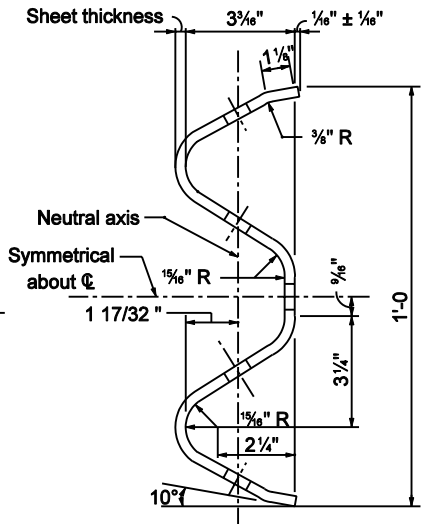


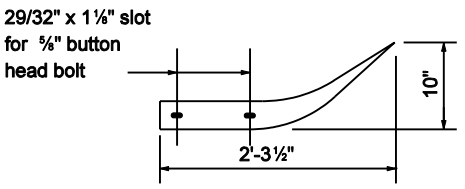
W-BEAM BACKUP PLATE



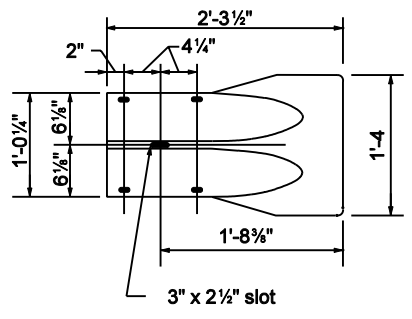
SECTION THROUGH BEAM ELEMENT

GENERAL NOTES

1. This sheet shall be used when W-beam guardrail is specified. This sheet shall also be used when a W-beam guardrail system requires the use of standard W-beam guardrail components.
2. The details on this sheet are for the standard components of W-beam guardrail.

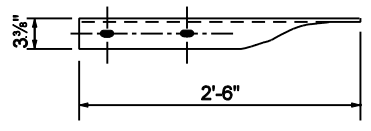


TOP VIEW

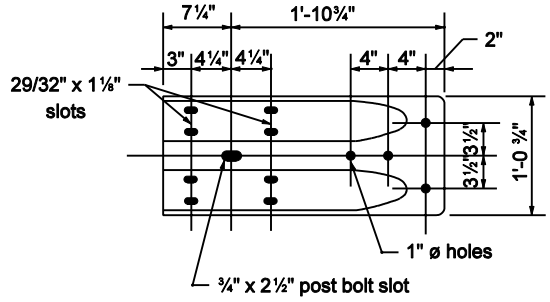


FRONT VIEW

CURVED TERMINAL END



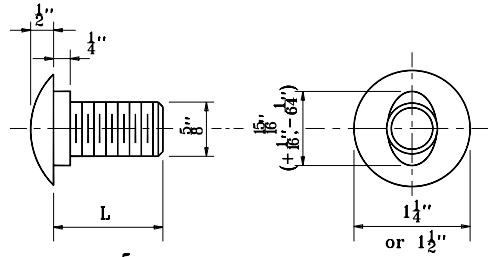
TOP VIEW



FRONT VIEW

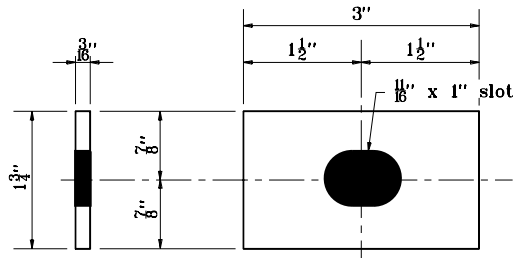
W-BEAM TERMINAL CONNECTOR

INDIANA DEPARTMENT OF TRANSPORTATION	
W-BEAM GUARDRAIL COMPONENTS	
MARCH 2003	
STANDARD DRAWING NO. E 601-WBGC-01	
	/s/ Richard L. VanCleave 3-03-03 DESIGN STANDARDS ENGINEER DATE
	/s/ Richard K. Smutzer 3-03-03 CHIEF HIGHWAY ENGINEER DATE
DESIGN STANDARDS ENGINEER	



5/8" BUTTON HEAD BOLT

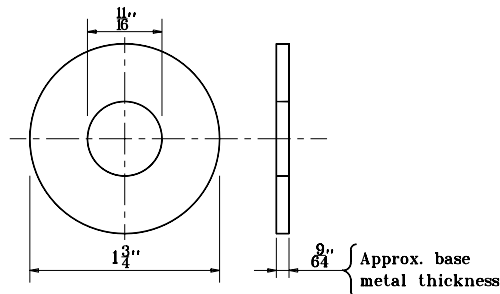
L	THREAD LENGTH
1 1/4"	Full Length Thread
2"	1 1/2" Min. Thread Length
3 1/2"	1 3/4" Min. Thread Length
1'-6"	2 1/2" Min. Thread Length
2'-1"	2" Min. Thread Length



SIDE VIEW

FRONT VIEW

RECTANGULAR PLATE WASHER



STEEL WASHER

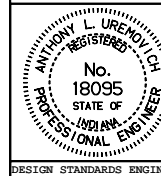
WASHER FOR 5/8" BOLT

INDIANA DEPARTMENT OF TRANSPORTATION

**W-BEAM
GUARDRAIL COMPONENTS**

MAY 2000

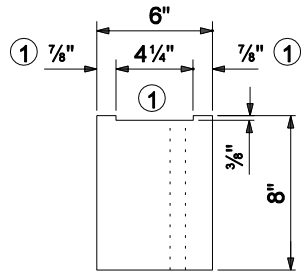
STANDARD DRAWING NO. **E 601-WBGC-02**



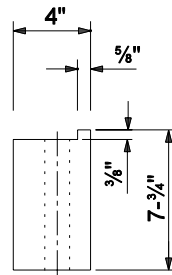
/s/ Anthony L. Uremovich 5-01-00
DESIGN STANDARDS ENGINEER DATE

/s/ Firooz Zandi 5-01-00
CHIEF HIGHWAY ENGINEER DATE

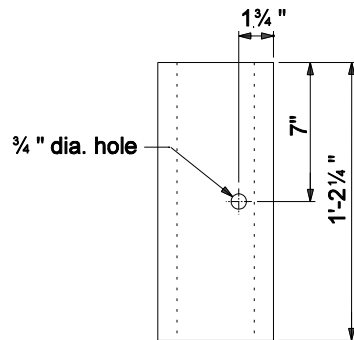
DESIGN STANDARDS ENGINEER



TOP VIEW

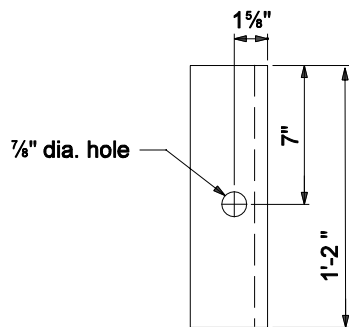


TOP VIEW



FRONT VIEW

TIMBER BLOCK DETAIL A

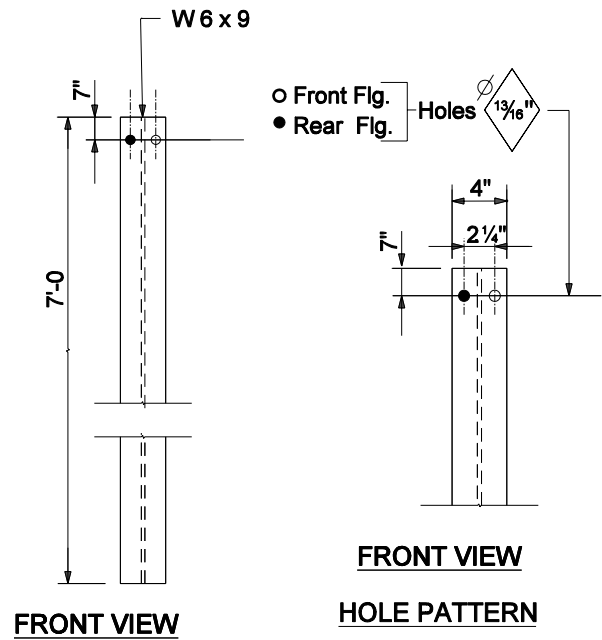


FRONT VIEW

TIMBER BLOCK DETAIL B

NOTES:

- ① These dimensions shall be adjusted as required to accommodate steel post flange.
- 2 Timber blocks shown in either Detail A or Detail B may be used.



STEEL POST DETAIL

INDIANA DEPARTMENT OF TRANSPORTATION	
W - BEAM GUARDRAIL COMPONENTS	
SEPTEMBER 2004	
STANDARD DRAWING NO. E 601-WBGC-03	
	<i>/s/ Richard L. VanCleave</i> 3-01-04 DESIGN STANDARDS ENGINEER DATE
	<i>/s/ Richard K. Smutzer</i> 3-01-04 CHIEF HIGHWAY ENGINEER DATE
DESIGN STANDARDS ENGINEER	